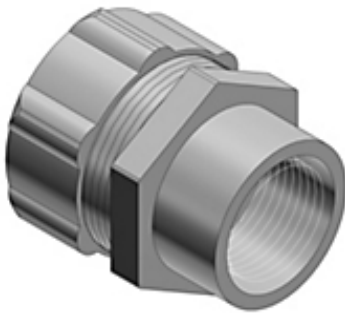




Actual



Representative

Catalog Number: 5272GR
Product ID: 7TAD012420R0030
UPC Number: 78621090095
EAN Number: 05415022259117
Status: A

1/2 Inch Steel Liquidtight Female Hub Adapter With External Ground

- Ability to install quickly with low torque effort

North American Specifications (UNSPSC)

UNSPSC	39121420 Liquid tight connectors
IGCC	4585 Liquid tight connectors
Type	Grounding Connectors-Straight
Application	To Positively Bond Conduit to Box or Enclosure
Standard	UL E3060, CSA
Size	1/2 Inch
Material	Steel

European Specifications (ETIM)

ETIM	EC001180 Screw connection for protective metallic hose
Nominal size in inch	1/2 inch
Model	Straight
Revolving thread	N
Construction type	External thread
Connection type screw connection to housing	Thread
Thread type	NPT
Thread connection size	Other
One-piece	N
Material housing	Steel
Approved in combination with protective conduit CSA	N
Approved in combination with protective conduit UL	Y

Packaging

Inner Quantity	25
Inner Dimensions (inches)	6x5x4
Outer Quantity	50
Outer Dimensions (inches)	10.8x6.2x4.5
Weight Uom	22 lbs. per 100

Documents / Support Tools

Technical Drawing / Data Sheet	TDS000120
--------------------------------	-----------